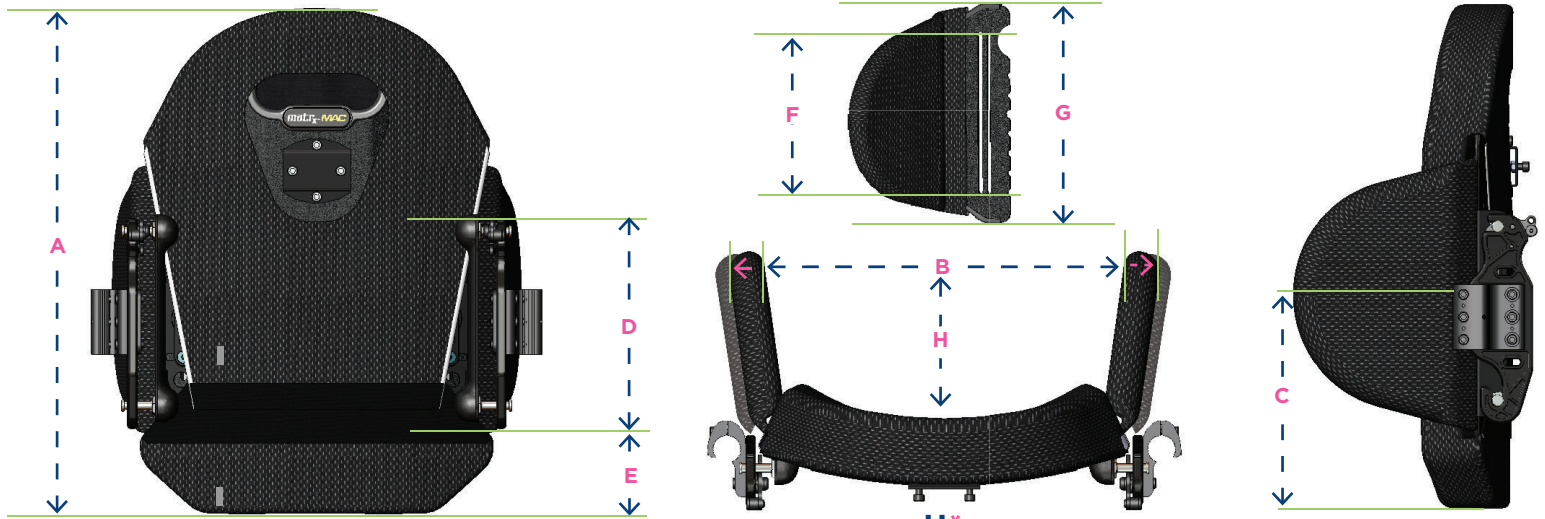


Respaldo MATRX® MAC

DIMENSIONES



H*
SOPORTES LATERALES
3.5"/89mm
6"/152mm
9"/229mm

Referencia Respaldo MAC	A* ALTURA TOTAL	B* ANCHURA ENTRE SOPORTES LATERALES	C AJUSTE VERTICAL DE LOS LATERALES	D LONGITUD GUÍAS INTERFAZ	E POSICIÓN INTERFAZ	F LONGITUD GUÍAS SOPORTES LATERALES	G ALTURA TOTAL SOPORTES LATERALES
1634609/1634679	19"/483mm	12.5-13.5"/317-343mm	5.5-11.0"/140-279mm	6.5"/165mm	3.5"/89mm	8"/203mm	11"/279mm
1634610/1634680	21"/533mm	12.5-13.5"/317-343mm	5.5-11.0"/140-279mm	6.5"/165mm	3.5"/89mm	8"/203mm	11"/279mm
1634611/1634681	23"/584mm	12.5-13.5"/317-343mm	5.5-12.0"/140-305mm	6.5"/165mm	4.5"/114mm	8"/203mm	11"/279mm
1634612/1634682	17"/432mm	13.5-14.5"/343-368mm	5.5-8.75"/140-222mm	5.5"/140mm	3.5"/89mm	8"/203mm	11"/279mm
1634613/1634683	19"/483mm	13.5-14.5"/343-368mm	5.5-11.0"/140-279mm	6.5"/165mm	3.5"/89mm	8"/203mm	11"/279mm
1634614/1634684	21"/533mm	13.5-14.5"/343-368mm	5.5-11.0"/140-279mm	6.5"/165mm	3.5"/89mm	8"/203mm	11"/279mm
1634615/1634685	23"/584mm	13.5-14.5"/343-368mm	5.5-12.0"/140-305mm	6.5"/165mm	4.5"/114mm	8"/203mm	11"/279mm
1634616/1634686	17"/432mm	14.5-15.5"/368-394mm	5.5-8.75"/140-222mm	5.5"/140mm	3.5"/89mm	8"/203mm	11"/279mm
1634617/1634687	19"/483mm	14.5-15.5"/368-394mm	5.5-11.0"/140-279mm	6.5"/165mm	3.5"/89mm	8"/203mm	11"/279mm
1634618/1634688	21"/533mm	14.5-15.5"/368-394mm	5.5-11.0"/140-279mm	6.5"/165mm	3.5"/89mm	8"/203mm	11"/279mm
1634619/1634689	23"/584mm	14.5-15.5"/368-394mm	5.5-12.0"/140-305mm	6.5"/165mm	4.5"/114mm	8"/203mm	11"/279mm
1634620/1634690	17"/432mm	15.5-16.5"/394-419mm	5.5-8.75"/140-222mm	5.5"/140mm	3.5"/89mm	8"/203mm	11"/279mm
1634621/1634691	19"/483mm	15.5-16.5"/394-419mm	5.5-11.0"/140-279mm	6.5"/165mm	3.5"/89mm	8"/203mm	11"/279mm
1634622/1634692	21"/533mm	15.5-16.5"/394-419mm	5.5-11.0"/140-279mm	6.5"/165mm	3.5"/89mm	8"/203mm	11"/279mm
1634623/1634693	23"/584mm	15.5-16.5"/394-419mm	5.5-12.0"/140-305mm	6.5"/165mm	4.5"/114mm	8"/203mm	11"/279mm
1634624/1634694	17"/432mm	16.5-17.5"/419-445mm	5.5-8.75"/140-222mm	5.5"/140mm	3.5"/89mm	8"/203mm	11"/279mm
1634625/1634695	19"/483mm	16.5-17.5"/419-445mm	5.5-11.0"/140-279mm	6.5"/165mm	3.5"/89mm	8"/203mm	11"/279mm
1634626/1634696	21"/533mm	16.5-17.5"/419-445mm	5.5-11.0"/140-279mm	6.5"/165mm	3.5"/89mm	8"/203mm	11"/279mm
1634627/1634697	23"/584mm	16.5-17.5"/419-445mm	5.5-12.0"/140-305mm	6.5"/165mm	4.5"/114mm	8"/203mm	11"/279mm

* Las medidas pueden variar según el tipo de cojín (espuma o Hug)



Invacare S.A.
Avenida del Oeste nº50, 11º
Valencia - CP: 46001
España
Tel. (34) 972 49 32 14
contactsp@invacare.com
www.invacare.es

© 2024 Invacare International GmbH. Todos los derechos reservados.
Toda la información facilitada se supone correcta en el momento de la impresión. Invacare se reserva el derecho a modificar las especificaciones del producto sin previo aviso.11/2024